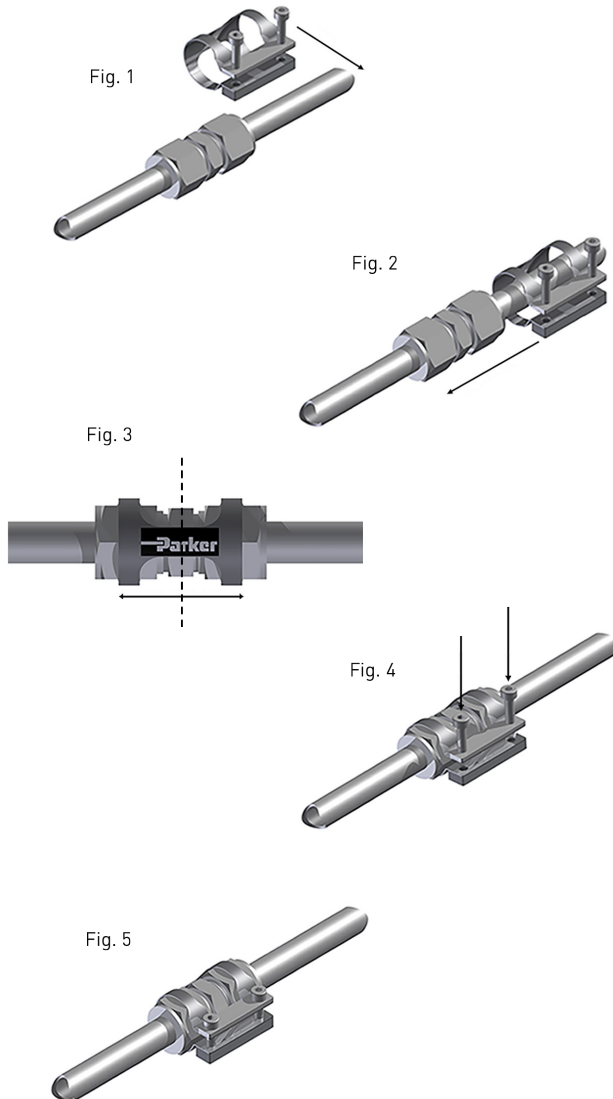


WireFree Locking Device

INSTALLATION INSTRUCTIONS



1. Raise the screws to allow for the WireFree fitting to then be placed over tube/fitting. Fig. 1.
2. Move the WireFree into correct position over the fitting. Fig. 2.
3. Make sure the WireFree is central about the centre line of the fitting. Fig. 3.
4. Tighten screws to within the recommended torque allowance for the relevant WireFree fitting, taken from the table below. Fig. 4.
5. Installation complete once Torque allowance and deformation of the fitting has been reached. Fig. 5.

Note: This product is a single use fitting and cannot be retightened or reassembled.

FITTING SIZE	RECOMMENDED TORQUE
WF-6HZ	2.6-3 N.m
WF-10HZ	2.6-3 N.m
WF-12HZ	2.6-3 N.m
WF-16HZ	2.6-3 N.m
WF-10-4HZ	2.6-3 N.m
WF-10-8HZ	2.6-3 N.m
WF-12-4HZ	2.6-3 N.m
WF-12-10HZ	2.6-3 N.m
WF-16-12HZ	2.6-3 N.m
WF-6EZ	2.6-3 N.m
WF-12-4EZ	2.6-3 N.m
WF-16-16-8JZ	2.6-3 N.m
WF-16-16-12JZ	2.6-3 N.m
WF-16JZ	2.6-3 N.m